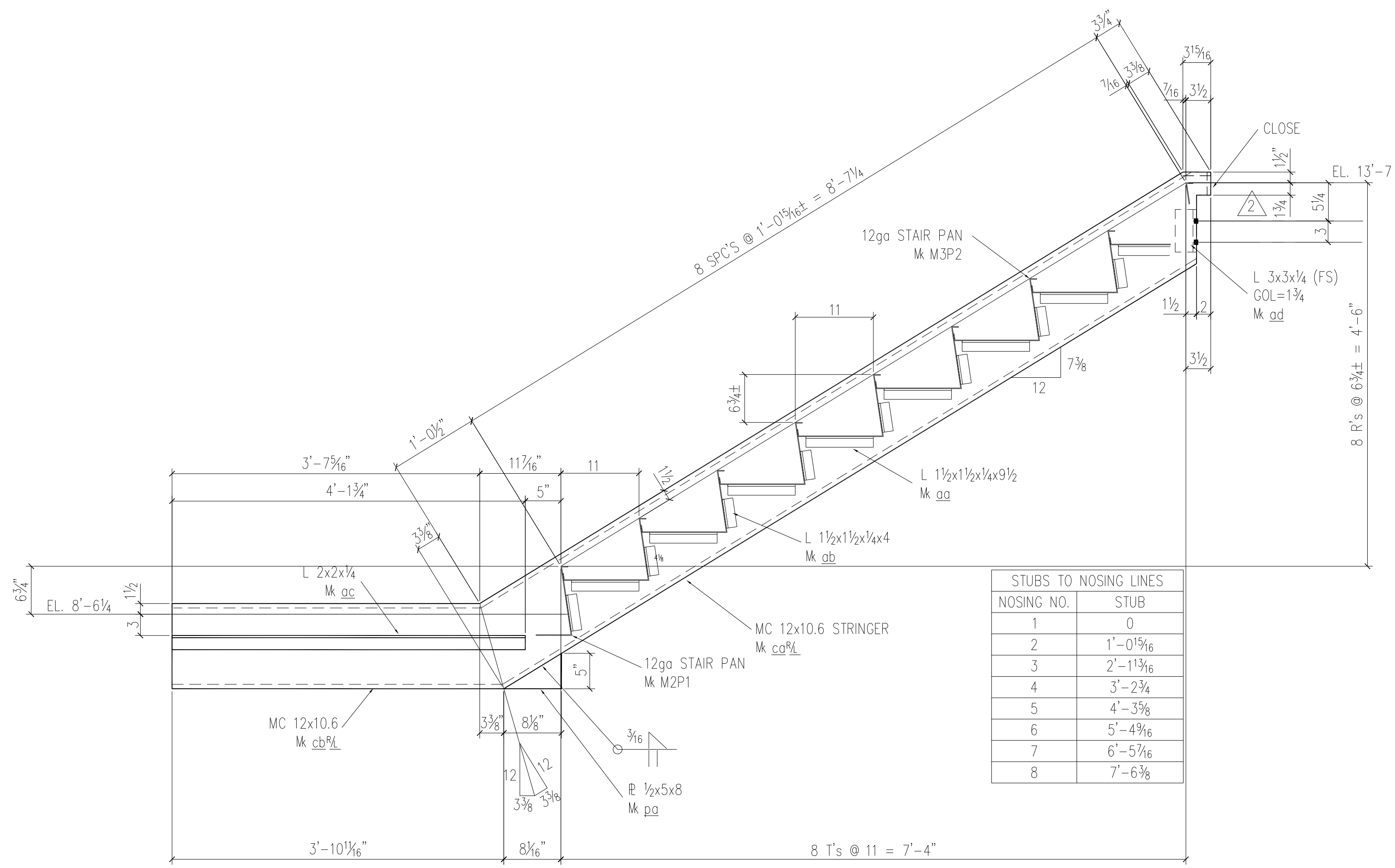
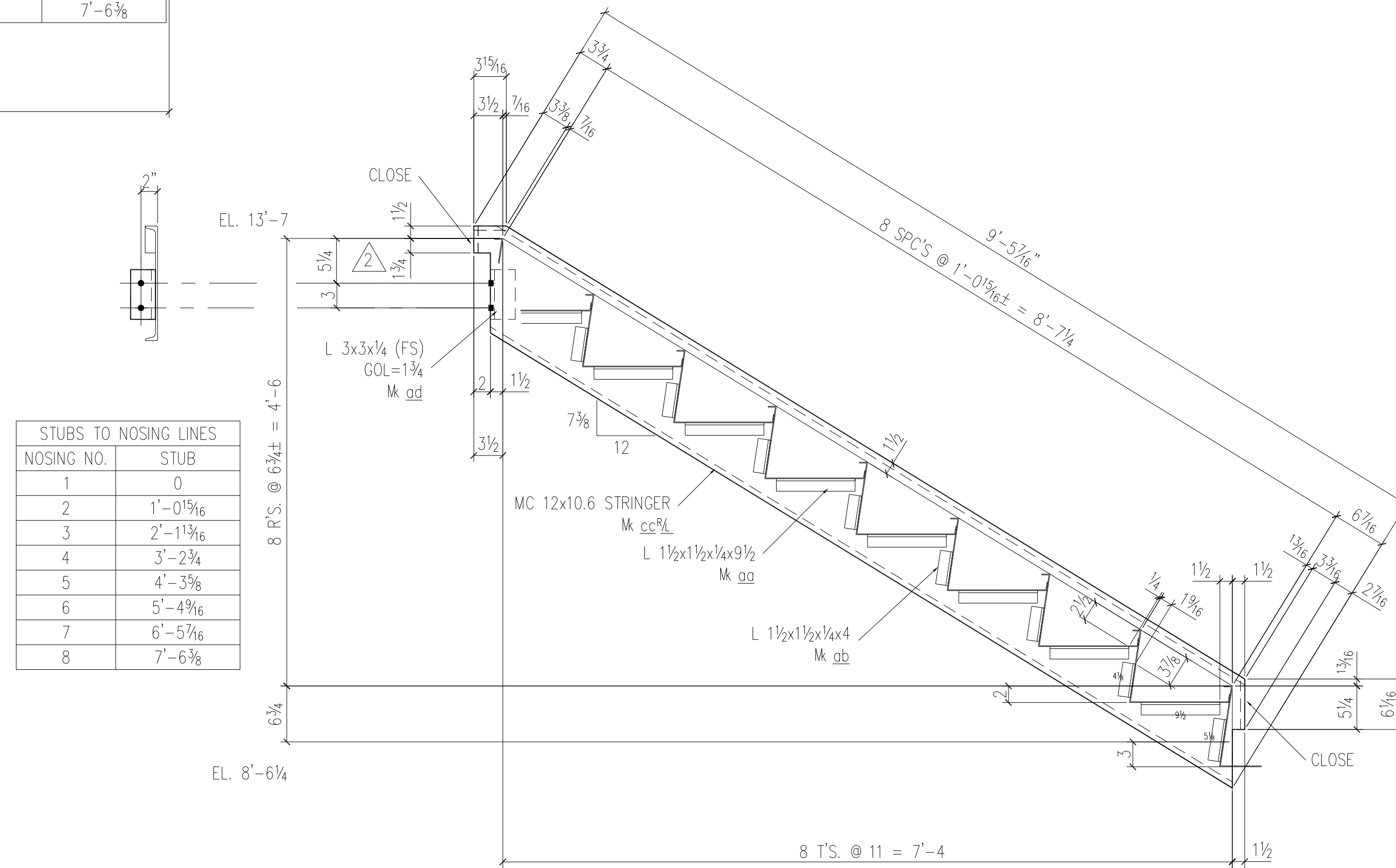


# SHOP BILL

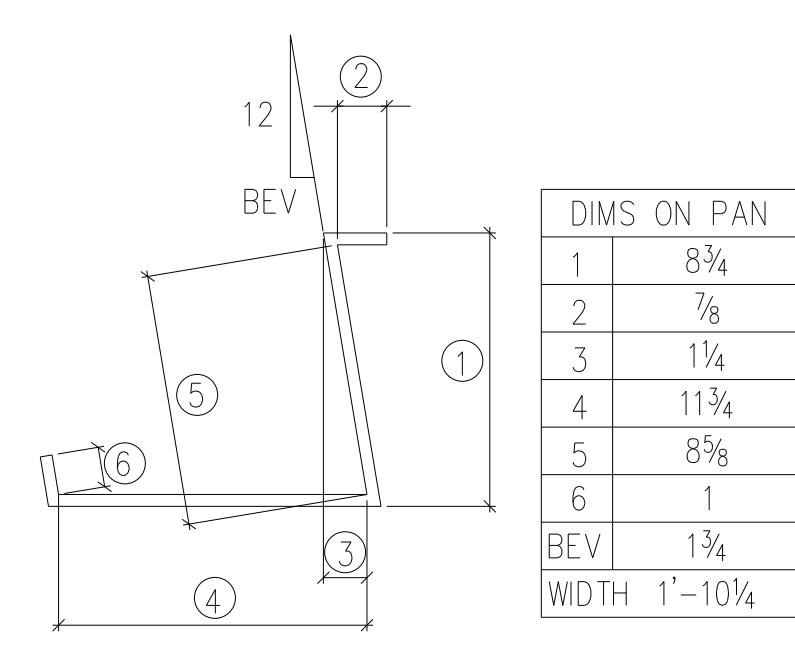
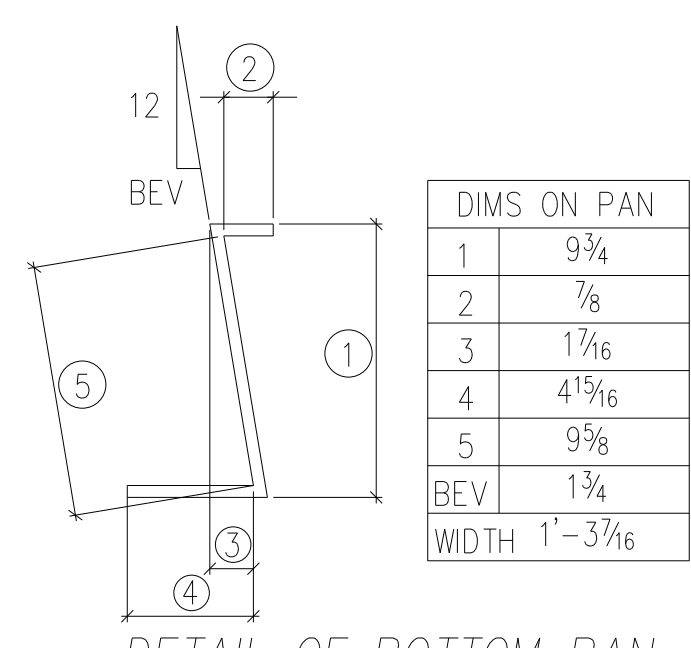
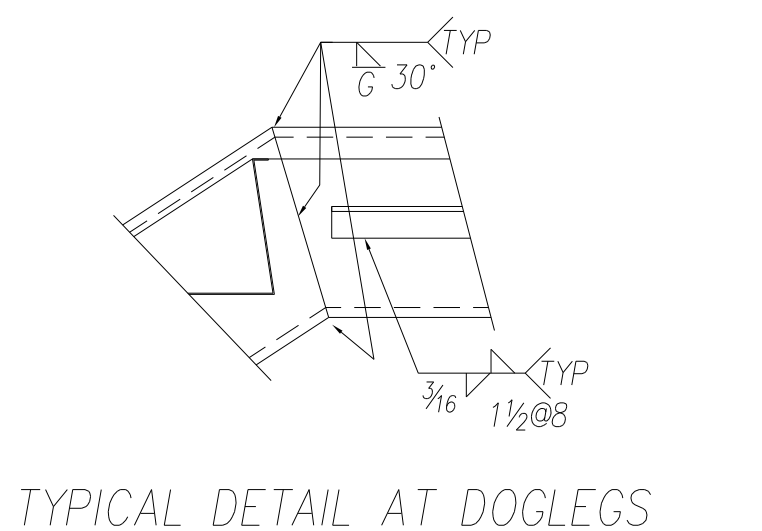
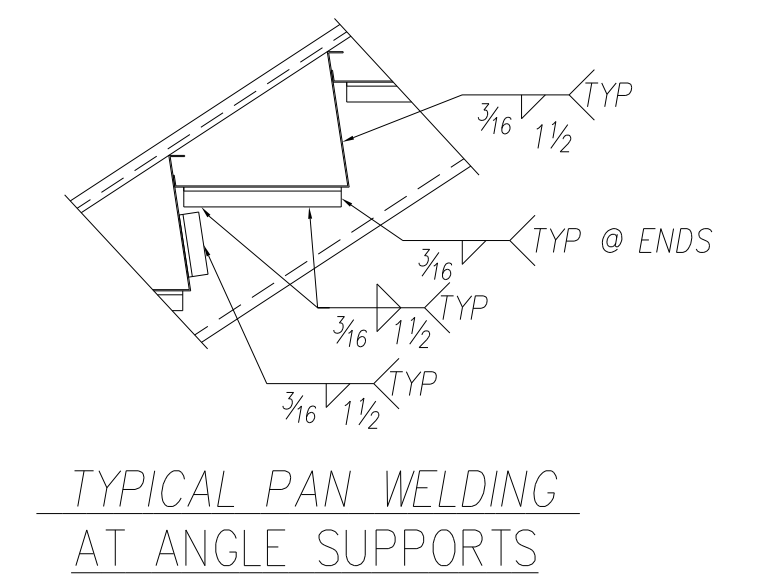
SHIP MK	PC MK	QTY	DESCRIPTION	FT	IN	REMARKS	WEIGHT
M3S1R	ONE/ONE		STAIR STRINGER				
	cc	1/1	MC12x10.6	10	2 7/8		217.10
	cb	1/1	MC12x10.6	3	10 1/16		82.53
	aa	16	L 1 1/2 x 1 1/2 x 1/4	0	9 1/2		29.74
	ab	16	L 1 1/2 x 1 1/2 x 1/4	0	4 1/2		14.09
	ac	2	L 2 x 2 x 1/4	4	1 3/4		26.52
	ad	2	L 3 x 3 x 1/4	0	6		4.90
			TOTAL WEIGHT				374.88
M3S2R	ONE/ONE		STAIR STRINGER				
	cc	1/1	MC12x10.6	9	5 7/8		200.45
	aa	16	L 1 1/2 x 1 1/2 x 1/4	0	9 1/2		29.74
	ab	16	L 1 1/2 x 1 1/2 x 1/4	0	4 1/2		14.09
	ad	2	L 3 x 3 x 1/4	0	6		4.90
			TOTAL WEIGHT				249.18
M3P1	2		12 GA. x 15 7/16	4	6 3/8		52.00
M3P2	16		12 GA. x 22 1/4	4	6 3/8		500.00



ONE STRINGER - M3S1R (AS SHOWN)  
ONE STRINGER - M3S1L (OPP HAND)



ONE STRINGER - M3S2R (AS SHOWN)  
ONE STRINGER - M3S2L (OPP HAND)



DETAIL OF BOTTOM PAN  
(2) PLS REQ'D MARKED M3P1

DETAIL OF STANDARD PAN  
(16) PLS REQ'D MARKED M3P2

SHOP NOTES:  
ALL STUBS ARE FROM FACE OF CLIP ANGLES  
ALL HOLE SPACING 3" C/C UNLESS NOTED  
ALL BLOCK SIZES FROM FACE OF CLIP ANGLES  
ALL REAR ENTRANT CUTS HAVE A MINIMUM OF 1/2" RADIUS CUTS.

VERIFY DIMENSION AND/OR DETAIL.

APPROVAL AUTHORITY:  
VERIFICATION OF DIMENSIONS, DETAILS, ETC. ARE REQUESTED WHERE INDICATED. IF EACH VERIFICATION IS NOT NOTED OTHERWISE, IT WILL BE ASSUMED TO BE CORRECT AS SHOWN.

THIS PROJECT SHALL BE ERRECTED PER THE AISC CODE OF STANDARD PRACTICE SPECIFICALLY PARAGRAPH 7.12 AS FOLLOWS:  
7.12 CORRECTION OF ERRORS  
NORMAL ERECTION OF OPERATIONS INCLUDE THE CORRECTION OF MINOR MISFITS BY MODERATE AMOUNTS OF BEAMING, CHIPPING, WELDING OR CUTTING, AND THE DRAWING OF ELEMENTS INTO LINE THROUGH THE USE OF DRIFT PINS. ERRORS WHICH CANNOT BE CORRECTED BY THE FOREGOING MEANS OR WHICH REQUIRE MAJOR CHANGES IN MEMBER CONFIGURATIONS ARE TO BE REPORTED TO THE OWNER AND FABRICATOR BY THE ERECTOR, TO ENABLE WHOEVER IS RESPONSIBLE EITHER TO CORRECT THE ERROR OR TO APPROVE THE MOST EFFICIENT AND ECONOMIC METHOD OF CORRECTION TO BE USED BY OTHERS.  
NO BACKCHARGES WILL BE ACCEPTED UNLESS APPROVED IN WRITING BY THIS OFFICE

REVISIONS	BY	DATE	DESCRIPTION
3	SRB	7-16	CHG BEARING DIMENSION
2	SRB	7-11	ELEV CHGS; ADD BOM
1	SRB	7-11	ELEV CHGS; ADD BOM

NOTES:

**E. Z. BREEZE**  
253 SHERWOOD DRIVE  
McMINNVILLE, TN. 37110

STRUCTURE	COUNTRY INN & SUITES
LOCATION	ORANGEBURG, SC
DETAIL	STAIRS
CUSTOMER	CONSTANTINE ARCHITECTS
ENGR OR ARCH	CONSTANTINE ARCHITECTS
DRAW	SRB
DATE	6-25
CHECKER	SGL
DATE	6-25

PAIN	ONE STD SC RIP
CLEANING	
MATERIAL GRADE	A36 (UNO)
HOLES	1 3/16" U.N.O.

SHOP ORDER	SHEET NO.	REV
	M3	2